

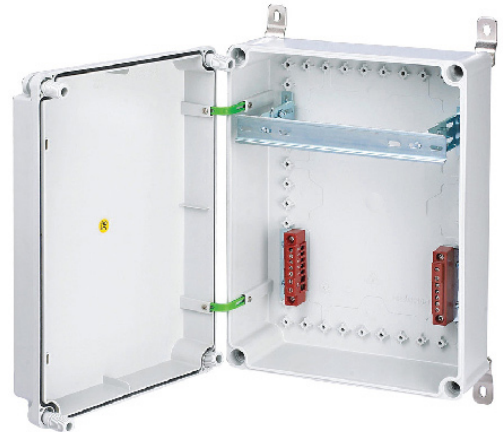
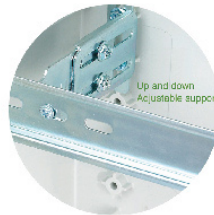
# European series Waterproof electrical box

IP65

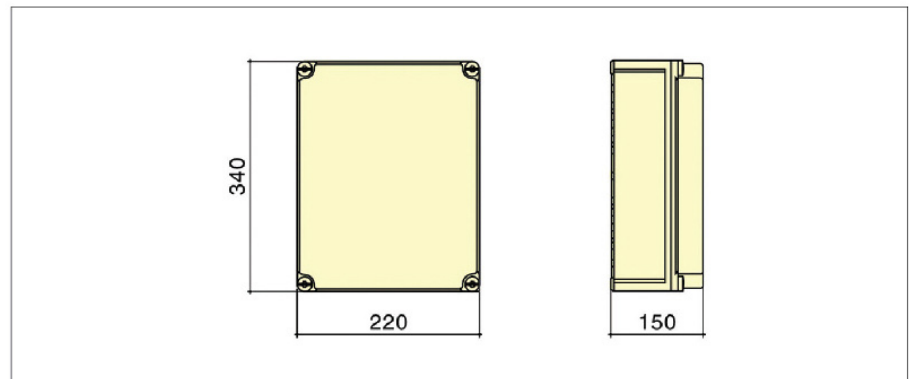


## European series Waterproof electrical box

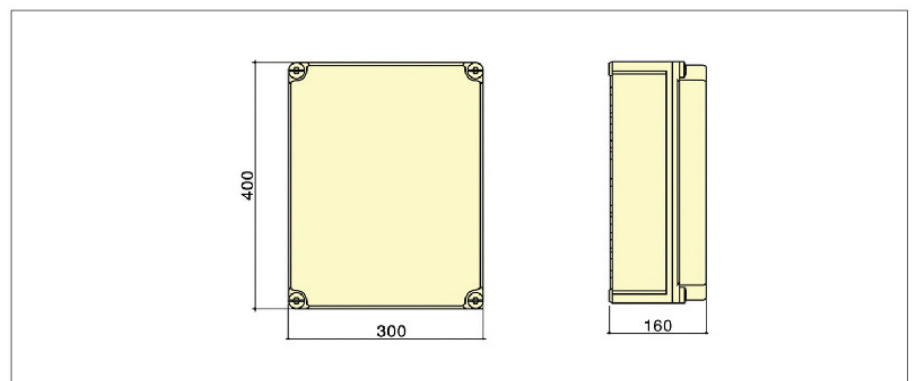
- Waterproof, dustproof, corrosion proof, strong installation. Any open mode can be customized according to customer needs, complete specifications, easy installation.
- Executive Standard: IEC60529 IP65 EN60309



LK223415



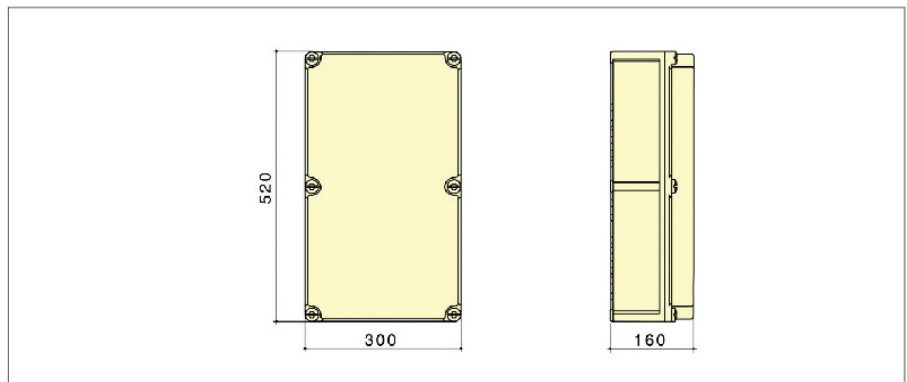
LK304016



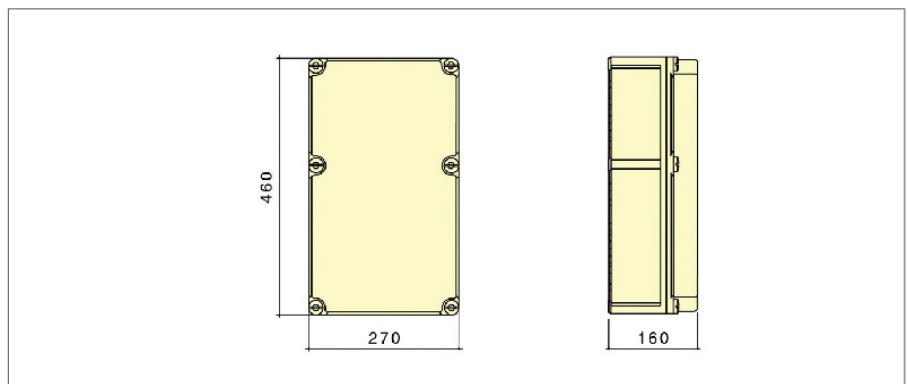
# European series Waterproof electrical box

IP65

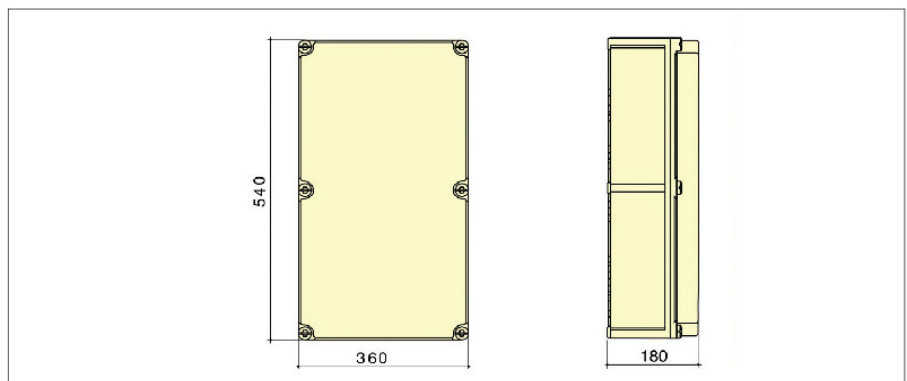
LK305216



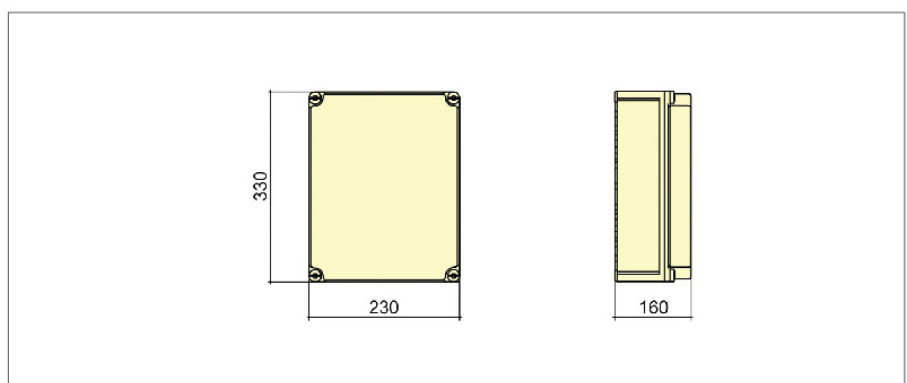
LK274616



LK365418



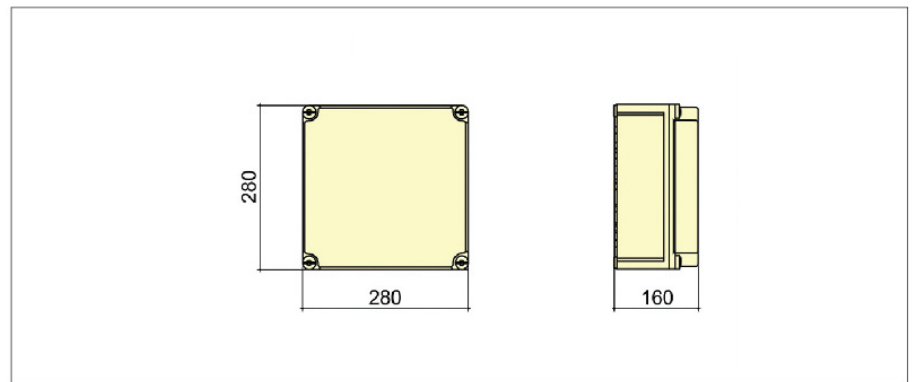
LK233316



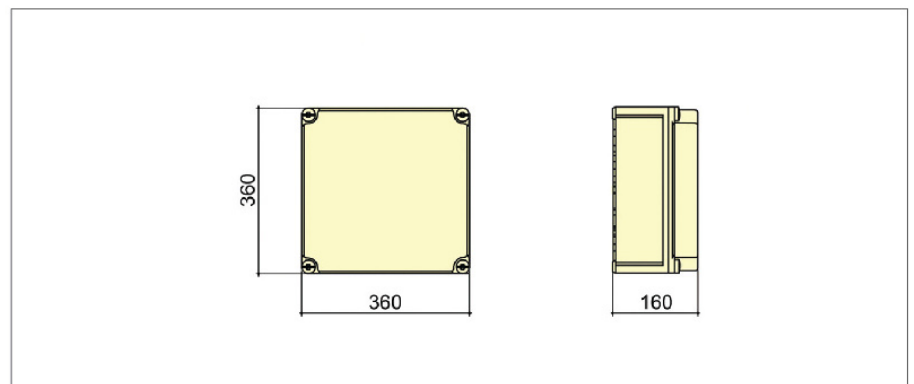
# European series Waterproof electrical box

IP65

LK282816



LK363616



LK608022

