

JSG series Three phase dry-type transformer (servo transformer)

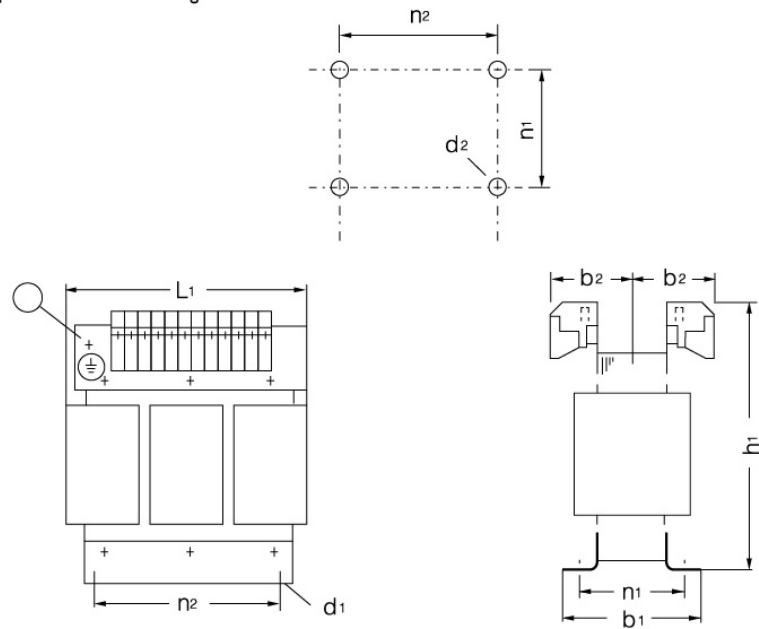


Adopting technology of Siemens company, design and manufacture JSG series three phase transformer by LINKWELL, with voltage between 160VA and 16KVA. The figure and installation size have been standardized and can be used together with 4AP series of Siemens, product comply with VDE0550、IEC439、JB5555、GB5226 and other International and national standards.

JSG series transformer used for equipment with input and output voltage less than 500V and frequency 50/60Hz.

Various inputs of the product, the output voltage level, the connection group, the number of adjustment taps and position (generally $\pm 5\%$), the distribution of winding capacity, the arrangement of secondary single-phase windings, the use of rectifier circuits, whether to require the outer casing and the like can be carefully designed and manufactured according to the requirements of the user.

Appearance and installing size



Model	Capacity KVA	b1 max	b2 max	d1	d2	h1 max	L1 max	n1	n2
JSG-0.16	0.16	64	50	5×8	M4	140	122	49	90
JSG-0.25	0.25	67	48	6×12	M5	162	156	49	113
JSG-0.4	0.4	82	56	6×12	M5	162	156	64	113
JSG-0.63	0.63	76	51	7.4×13	M6	187	181	56	136
JSG-1	1	97	61	7.4×13	M6	187	181	76	136
JSG-1.6	1.6	115	98	7.4×13	M6	214	229	94	170
JSG-2.5	2.5	133	102	10×18	M8	241	264	101	200
JSG-4	4.0	148	104	10×18	M8	250	270	118	224
JSG-6.3	6.3	155	129	10×18	M8	320	360	118	264
JSG-8	8	170	134	12×20	M10	380	420	140	315
JSG-10	10	170	134	12×20	M10	380	420	140	315

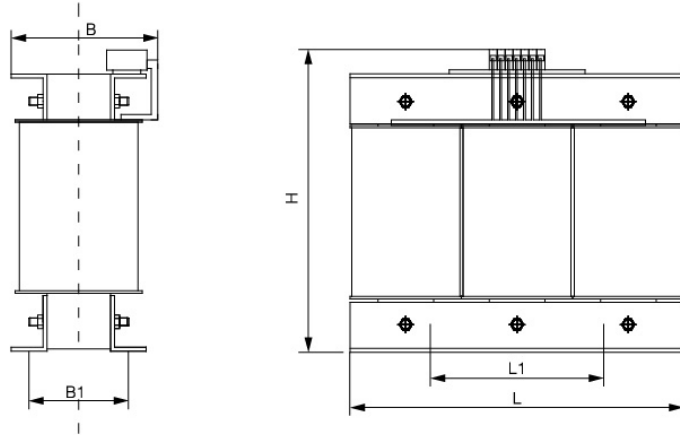


SG series Control transformer



SG series low-voltage three-phase dry-type transformers are widely used in industrial and mining enterprises, CNC machine tools, machining centers, various types of machinery, power plants, airports and other places with high safety and fire protection requirements, for conversion power, lighting electrical, power supply, rectifier power supply .

Appearance and installing size

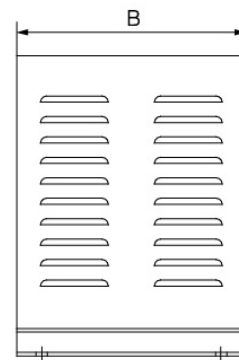
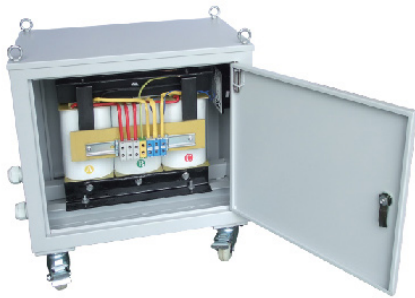
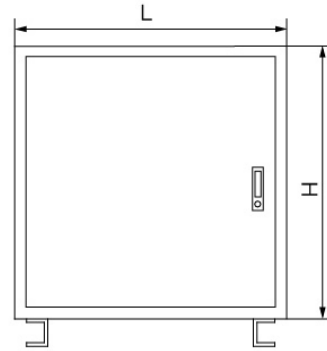


Model No.	Capacity KVA	Input voltage(V)	Connection group	Outline size			Installation size		Hole radius
				L	B	H	L1	B1	
SG-2.5	2.5			270	180	260	200	102	8.5
SG-3	3			270	190	260	200	102	8.5
SG-4	4			300	190	290	224	120	8.5
SG-5	5			300	210	290	224	135	8.5
SG-6	6			360	200	350	264	127	8.5
SG-7	7			360	200	370	264	127	8.5
SG-8	8			360	240	370	264	142	8.5
SG-10	10			420	240	420	315	150	12.5
SG-12	12	660	△	420	240	420	315	150	12.5
SG-15	15		or	420	280	420	315	170	12.5
SG-20	20		Y	480	240	450	360	150	12.5
SG-25	25	380		480	240	450	360	180	12.5
SG-30	30			480	270	450	360	220	12.5
SG-40	40			540	300	450	360	250	12.5
SG-45	45			600	300	560	450	250	12.5
SG-50	50			600	350	560	450	220	12.5
SG-60	60			600	350	560	450	220	15
SG-80	80			660	380	660	550	250	15
SG-100	100			660	380	660	550	250	15

SGC series Three phase dry-type transformer



Appearance and installing size



Model No.	Capacity KVA	Outline size		
		L	B	H
SGC-2.5KVA	2.5	300	240	280
SGC-3KVA	3	300	240	280
SGC-4KVA	4	390	280	320
SGC-5KVA	5	390	280	320
SGC-6KVA	6	390	280	320
SGC-8KVA	8	500	350	450
SGC-10KVA	10	500	350	450
SGC-12KVA	12	500	350	450
SGC-15KVA	15	500	350	450
SGC-20KVA	20	600	420	520
SGC-25KVA	25	600	420	520
SGC-30KVA	30	600	420	520
SGC-40KVA	40	600	420	520
SGC-45KVA	45	740	500	650
SGC-50KVA	50	740	500	650
SGC-60KVA	60	740	500	650
SGC-80KVA	80	840	530	650
SGC-100KVA	100	840	530	650

